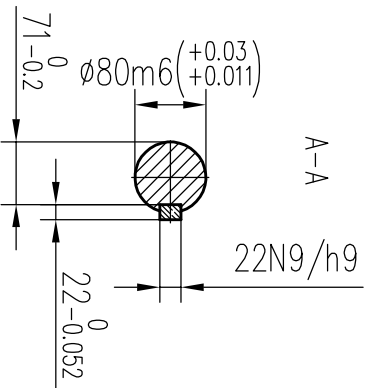
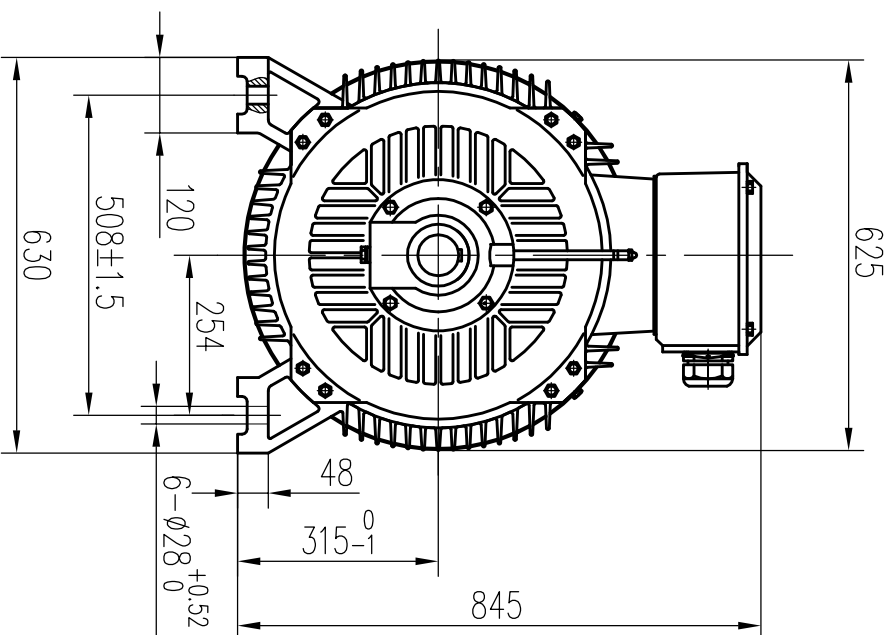
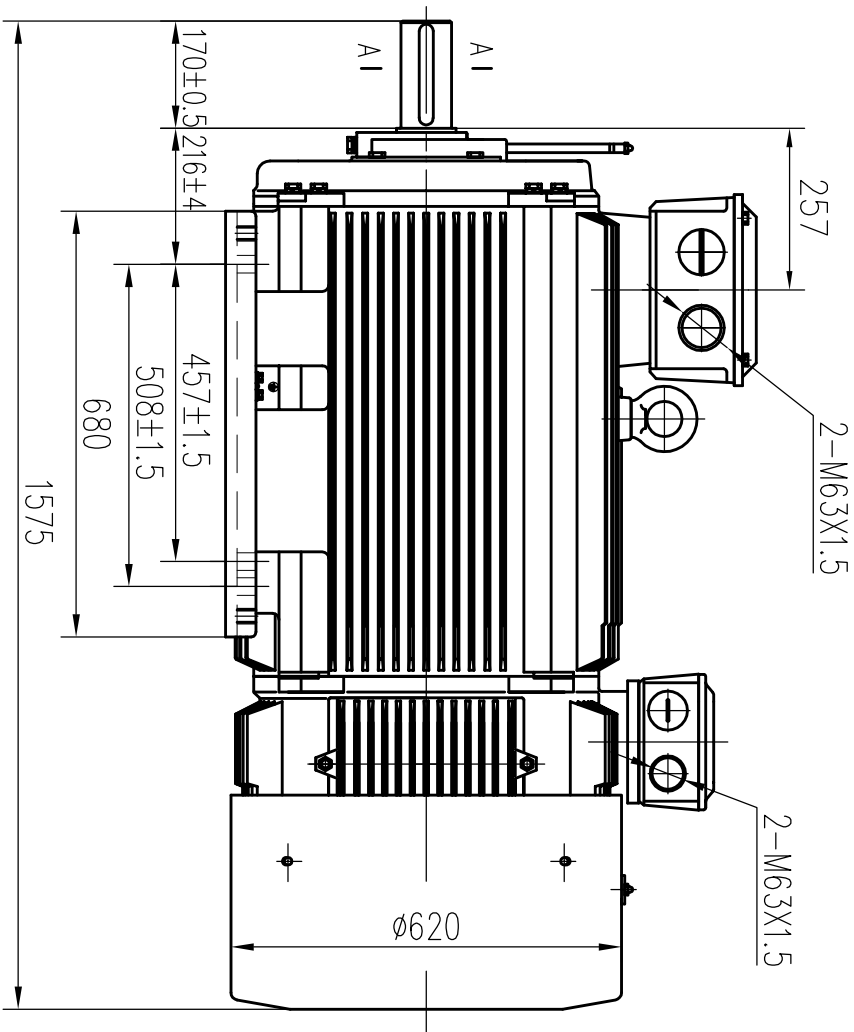


EN17110



Mark	No.	Zone	Changed file No.	Signature	Data
Design	QH.Duan	2016.122	Standard		
Check					
Auditing	ZY.Zhu	2016.122			
Technics			Approval		

OUTLINE

Sign

Weight

Scale

Total page

page No.

OMR2-315M-04~12PB3

WUXI OMEC LTD.